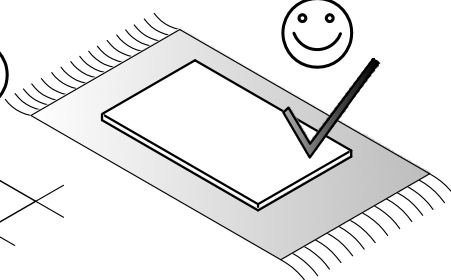
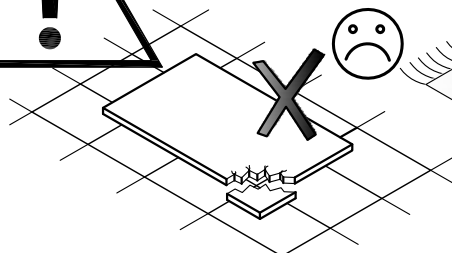
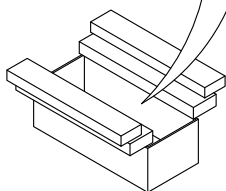
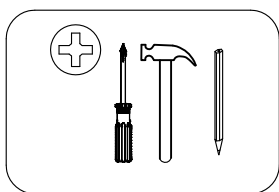
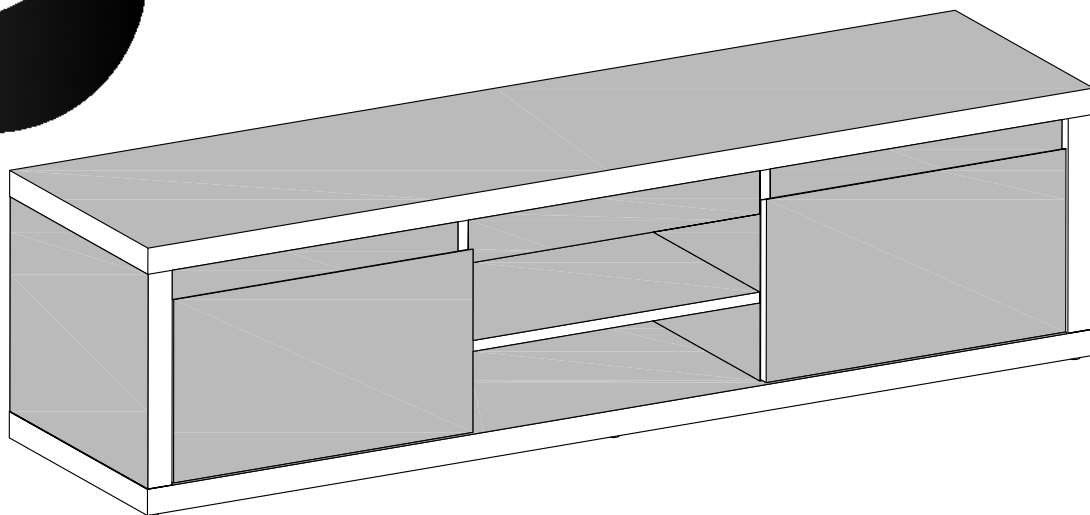
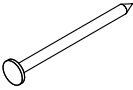


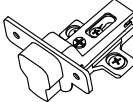
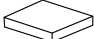
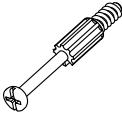
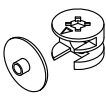
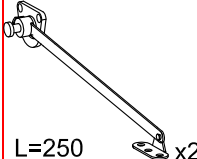
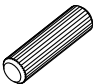


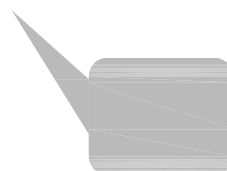


A	B	C	D
1	312x394x38	1	1/2
2	312x377x16	1	2/2
3	312x377x16	1	2/2
4	312x394x38	1	1/2
5	460x376x16	1	2/2
6	1484x383x3	1	1/2
7	1490x395x38	1	1/2
8	1490x395x38	1	1/2
9	460x70x16	3	2/2
10	266x472x16	2	2/2

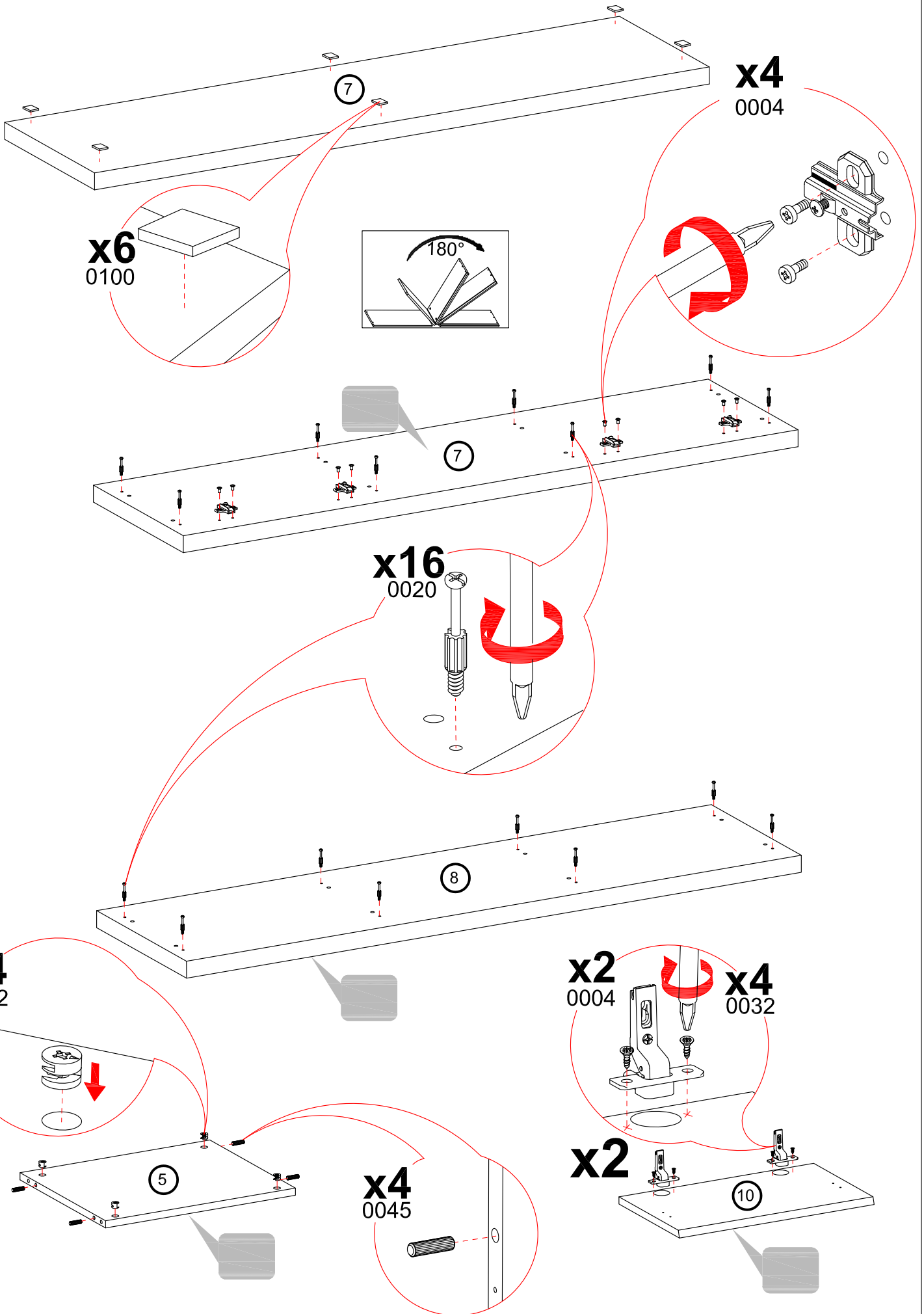


0059  x60	0032  4x13 x12	0033  4x16 x4	0004  H=0 x4
0100  x6	0020  x20	0022  x20	0245  L=250 x2
0045  8x30 x24	0047  8x50 x4	0246  x4	



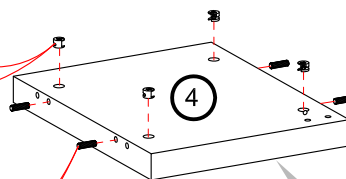
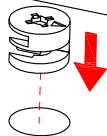
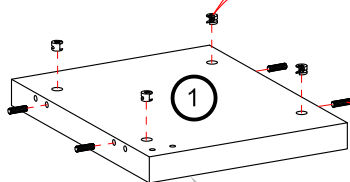
-ГЛЯНЕЦ

1

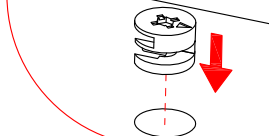


2

**x8**  
0022



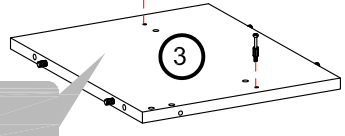
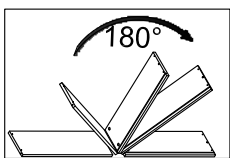
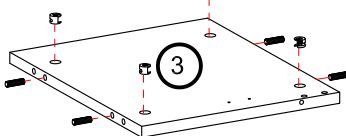
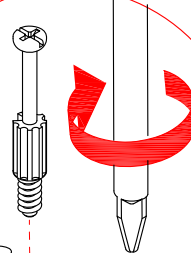
**x4**  
0022



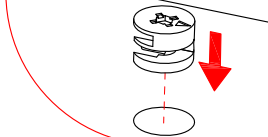
**x8**  
0045



**x2**  
0020



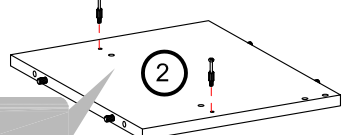
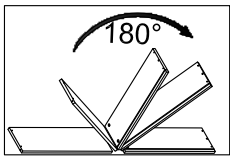
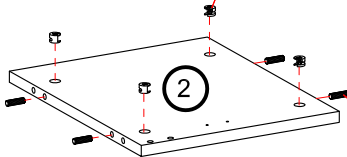
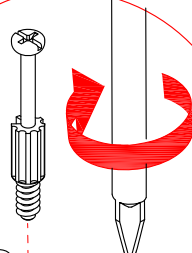
**x4**  
0022



**x4**  
0045



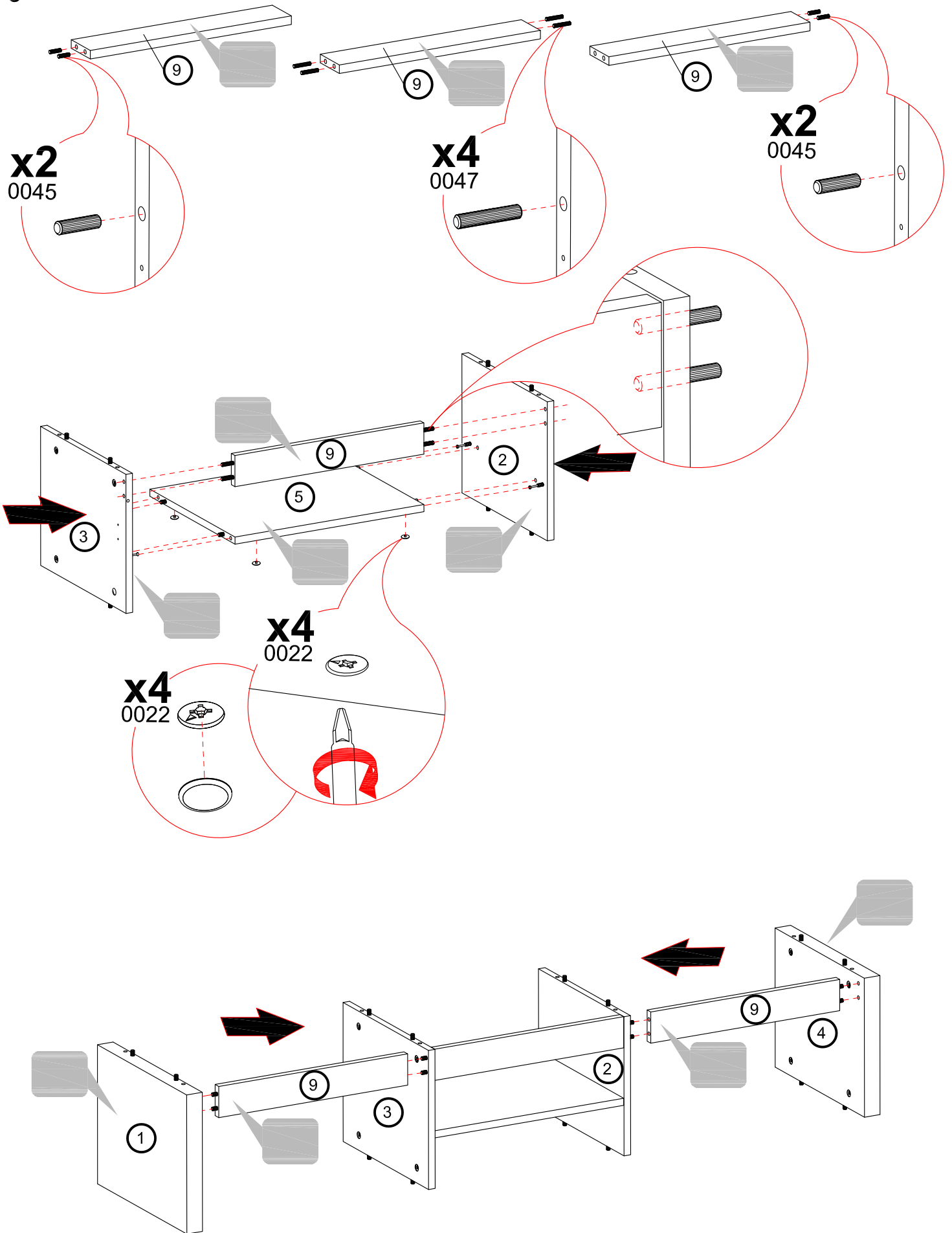
**x2**  
0020



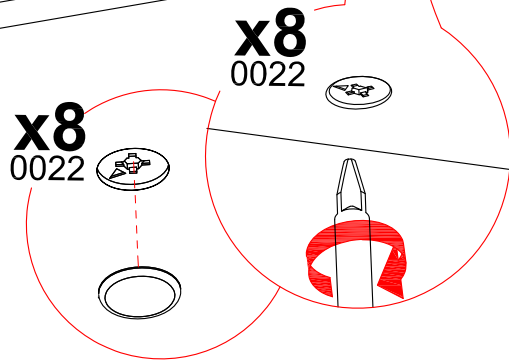
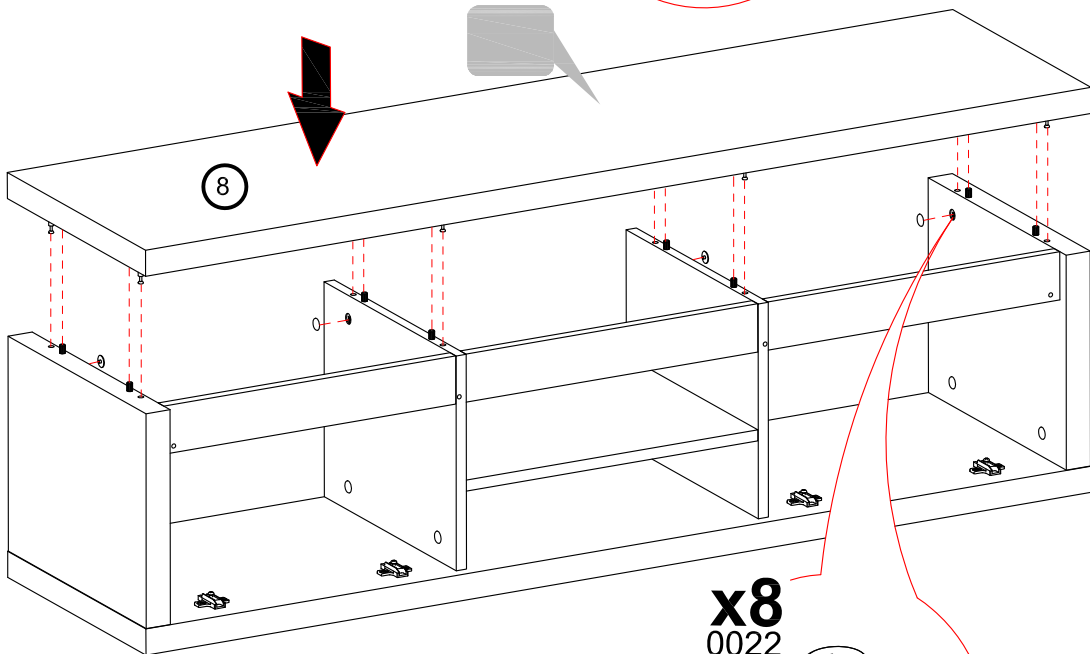
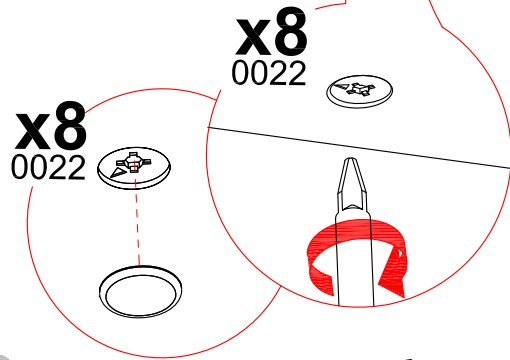
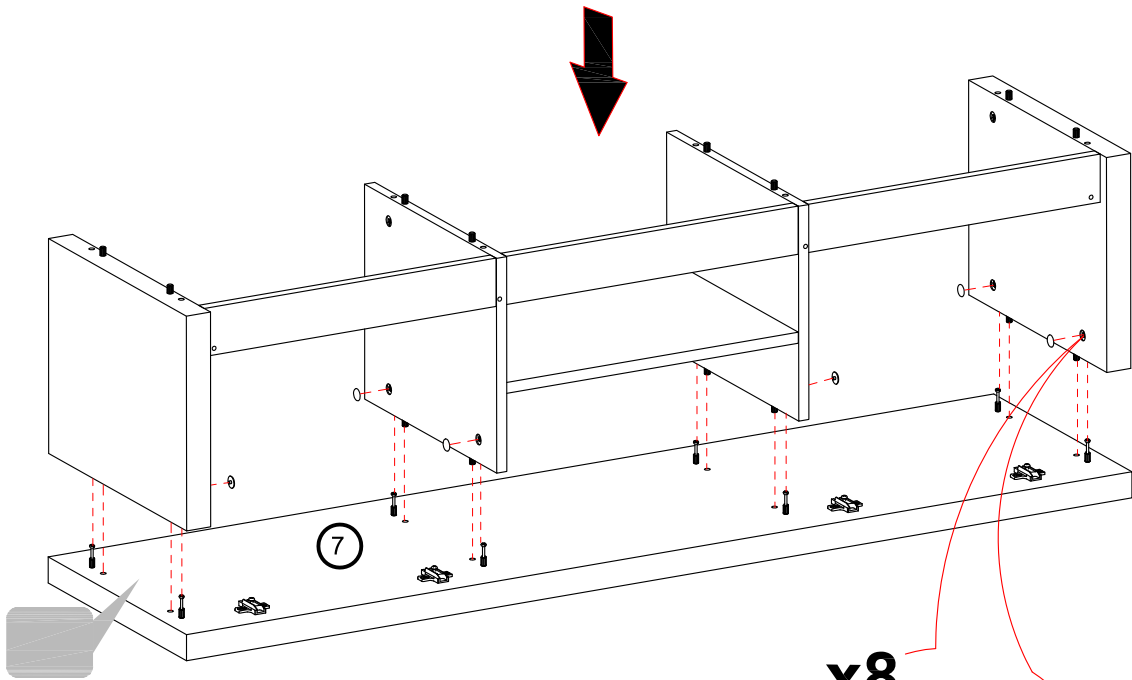
**x4**  
0045



3



4



5

